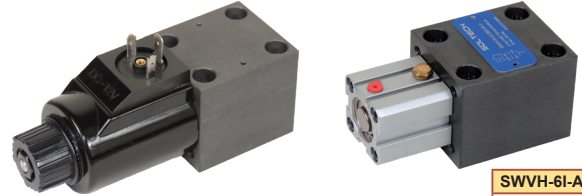
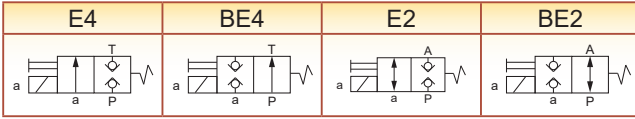


【SWVH-6I】

※GRAPHIC SYMBOL



SWVH-6I-Air

※TECHNICAL DATA

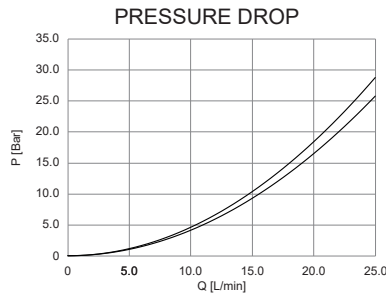
Hydraulic fluid	Porting	Max. operating pressure connection P, A, B, T	Max. Flow Rate (L/min.)	Filtration (recommendation)	Weight (Kg)
Mineral oil according to DIN 51524 (other fluids on request)	NG 6 according to DIN 24340 / ISO 4401 / CETOP RP 121 H	700 bar	25	according to NAS 1638, class 6 resp. ISO/DIN 4406 class 17/15/12	1.6/ 1.2(Air)

※MODEL NUMBER DESIGNATION

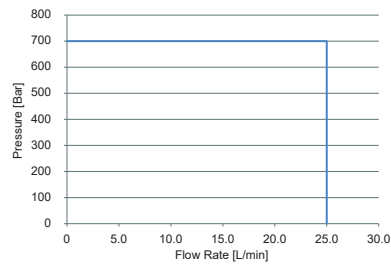
SWVH-	6I-	(Air)-	2/	2-	E2-	24-	V-	(90)
SERIES NO.	Normal Size ISO Connection	Actuation Type Omit: Solenoid Air: Air	Number of Ports 2	Number of Positions 2	Switching Functions see Graphic Symbol	Solenoid 12: DC12V 24: DC24V 110: 110VAC 220:220VAC	Seal Material V: FKM	Design No. Omit: DIN 912 Bolts 90: UNC Bolts (North American Design)

※ The item with "(" could be omitted.

※PERFORMANCE CURVE



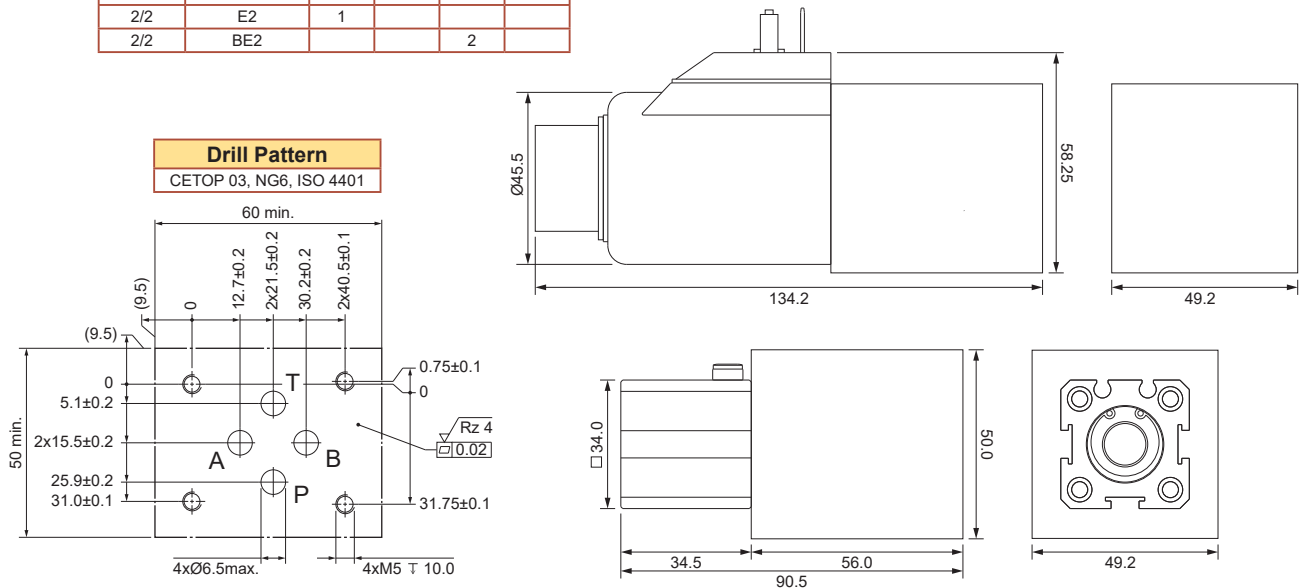
HYDRUALIC SWITCHING CAPACITY



Hydraulic switching capacity at nominal operating voltage and at operating temperature. Switch on current $I_{ON} \geq 0.7 \times I_N$

Valve Type	Control Function	a (switched)		0 (initial position)	
		P-A	P-T	P-A	P-T
2/2	E4		2		
2/2	BE4				2
2/2	E2	1			
2/2	BE2			2	

※DIMENSIONS



UNIT: M.M.(INCHES)