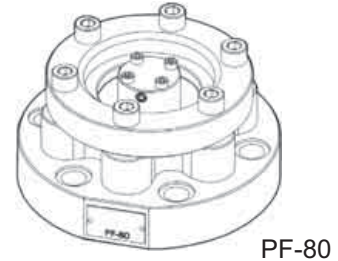


**[ PF ]**

**A**

※MODEL NUMBER DESIGNATION

PF	80	FT	(90)
SERIES NO.	VALVE SIZE( 80: 3" 90: 3-1/2" 100: 4" 125: 5" 150: 6"	FLANGE KITS FPT: WITH P,T PORT FLANGE FP: WITH P PORT FLANGE FT: WITH T PORT FLANGE	DESIGN NO. OMIT: DIN 912 BOLTS 90: UNC BOLTS (NORTH AMERICA)



PF-80

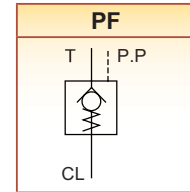
※SPECIFICATION

Model	Max. Oper. Pres. (MPa)/(PSI)	Max. Flow (ℓ/min)/(U.S.GPM)	Cracking Pres. (MPa)/(PSI)	Weight (kg)
PF-80	25(3630)	400(105.7)	0.12	8
PF-90		650(171.7)	0.12	11.5
PF-100		1000(264.2)	0.12	14.5
PF-125		1600(422.7)	0.12	23
PF-150		2500(660.5)	0.13	37

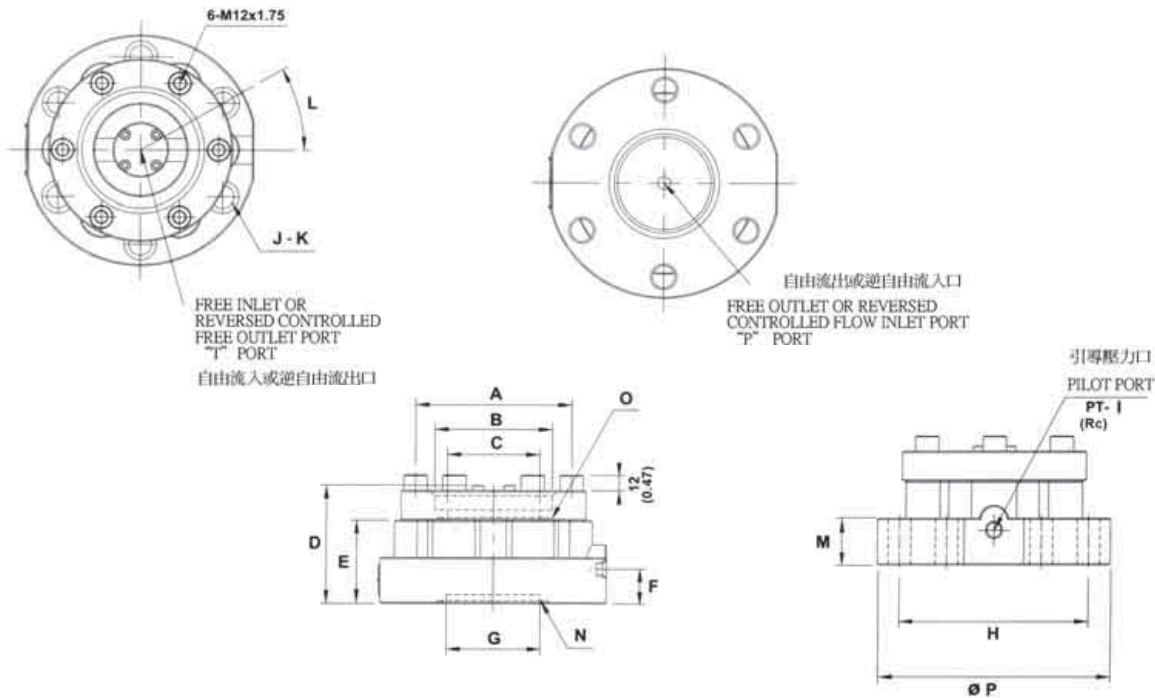
※ACCESSORIES

※GRAPHIC SYMBOL

Model	Socket Head Screw Cap				O Ring				
	FP Flange Mounting		Weight (kg)	FT Flange Mounting		Weight (kg)			
PF-80	M16 × 55 Lg.	6 Pcs	6.5	M12 × 40 Lg.	6 Pcs	2.3	G80	1 Pcs	P4 1 Pcs
PF-90	M18 × 65 Lg.	6 Pcs	9	M12 × 40 Lg.	6 Pcs	2.8	G100	1 Pcs	P5 1 Pcs
PF-100	M20 × 70 Lg.	6 Pcs	14.5	M12 × 40 Lg.	6 Pcs	2.8	G115	1 Pcs	P5 1 Pcs
PF-125	M20 × 80 Lg.	12 Pcs	25.2	M12 × 50 Lg.	6 Pcs	4	G140	1 Pcs	P6 1 Pcs
PF-150	M20 × 95 Lg.	16 Pcs	28	M16 × 50 Lg.	8 Pcs	8	G180	1 Pcs	P8 1 Pcs



※DIMENSIONS



UNIT: M.M.(INCHES)

MODEL	A	B	C	D	E	F	G	H	I	J	K	L	M	N	O	P
PF-80	120(4.72)	90(3.54)	71(2.79)	92(3.62)	65(2.55)	27(1.06)	72(2.83)	146(5.74)	PT 1/4"	6(0.23)	17.5(0.68)	30(1.18)	33(1.29)	G80	G85	180(7.08)
PF-90	135(5.31)	101.5(3.99)	89(3.50)	119(4.68)	72(2.83)	27(1.06)	88(3.46)	165(6.49)	PT 1/4"	6(0.23)	17.5(0.68)	30(1.18)	44(1.73)	G100	G100	200(7.87)
PF-100	148(5.82)	115.5(4.54)	108(4.25)	133(5.23)	74(2.91)	32(1.25)	106(4.17)	191(7.51)	PT 1/4"	6(0.23)	17.5(0.68)	30(1.18)	44(1.73)	G115	G115	230(9.05)
PF-125	175(6.88)	141(5.13)	130.5(5.13)	165(6.49)	85(3.34)	43(1.69)	130(5.11)	23(9.05)	PT 1/4"	12(0.47)	22(0.87)	15(0.59)	52(2.04)	G140	G140	270(10.5)
PF-150	200(7.87)	167(6.57)	155(6.10)	204(8.03)	105(4.13)	45(1.77)	168(6.61)	260(10.2)	PT 3/8"	16(0.62)	22(0.87)	11.25(0.44)	64(2.51)	G180	G180	300(11.8)