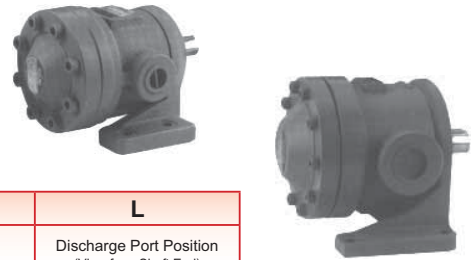
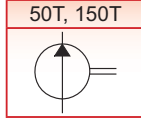


【 50T, 150T 】

※GRAPHIC SYMBOL



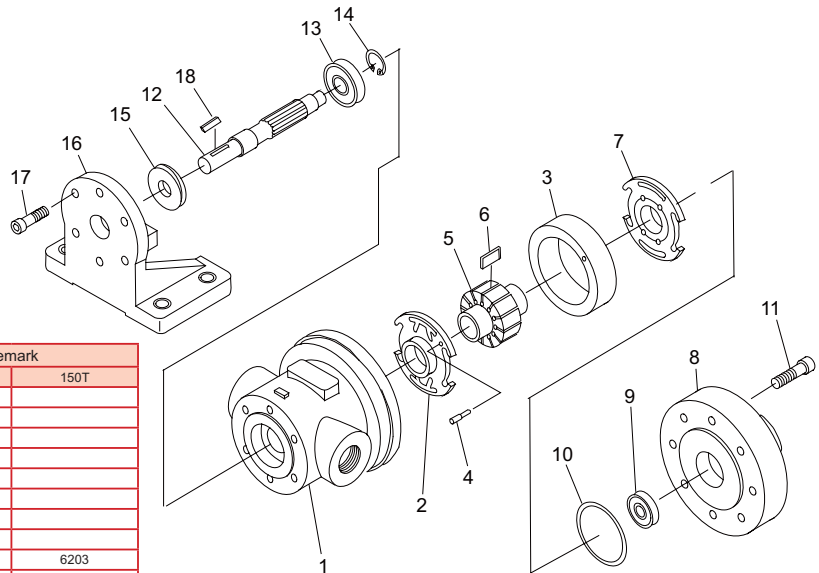
※MODEL NUMBER DESIGNATION

50-	T-	36-	F-	R-	L
Series No.	Connections T: Threaded F: Flanged	Displacement (c.c./rev.) 50T: 07, 12, 14, 17, 19, 23, 26, 30, 36, 39, 43 150T: 48, 61, 75, 94, 116	Mounting Type L: Foot F: Flange	Direction of Rotation (View from Shaft End) R: Clockwise L: Counter-Clockwise	Discharge Port Position (View from Shaft End) R: Right L: Left(Normal)

※SPECIFICATION

Model	Delivery Capacity (c.c./rev)					Speed of Rotation(rpm)		Max. Pressure Kg/Cm ² (MPa)	Weight (Kg)	
	Speed of Rotation(rpm)					Max	Min		Foot Type	Flange Type
	1000	1200	1500	1800						
50T-	07	---	9.0	11.2	13.5	1800	1200	70(7)	10.5	9.5
	12	12.0	14.4	18.0	21.6	1800	950	70(7)	10.5	9.5
	14	14.6	17.5	21.7	26.1	1800	950	70(7)	10.5	9.5
	17	17.0	20.3	25.5	31.5	1800	950	70(7)	10.5	9.5
	20	20.1	24.1	30.2	36	1800	950	70(7)	10.5	9.5
	23	23.0	27.6	34.5	41.4	1800	950	70(7)	10.5	9.5
	26	26.2	31.4	39.3	47.2	1800	950	70(7)	10.5	9.5
	30	30.0	36.0	44.5	53.0	1800	950	70(7)	10.5	9.5
	36	36.2	43.4	54.3	64.0	1800	950	70(7)	10.5	9.5
150T-	39	39.0	46.5	58.5	70.0	1800	950	70(7)	10.5	9.5
	43	43.0	51.6	---	---	1200	900	35(3.5)	10.5	9.5
	48	48.3	57.9	72.4	86.9	1800	900	70(7)	25.0	25.0
	61	61.5	73.8	92.2	110.7	1800	900	70(7)	25.0	25.0
	75	95.5	90.6	113.2	135.9	1800	900	70(7)	25.0	25.0
	94	94.2	113.0	141.3	169.5	1800	900	70(7)	25.0	25.0
	116	116.3	139.6	174.0	---	1200	900	70(7)	25.0	25.0

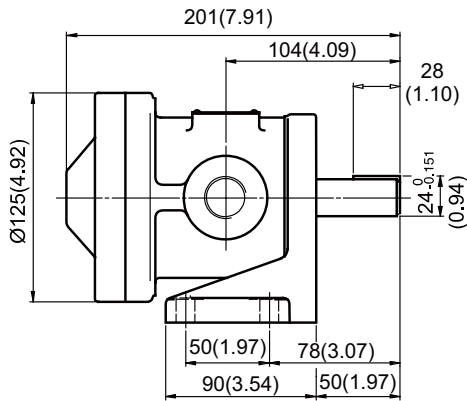
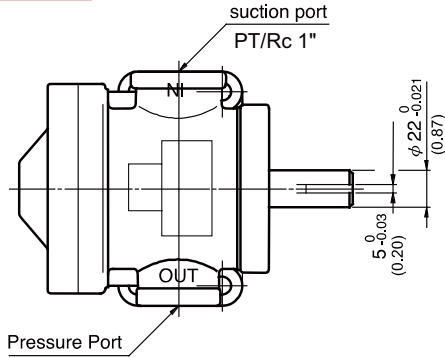
※PARTS LIST



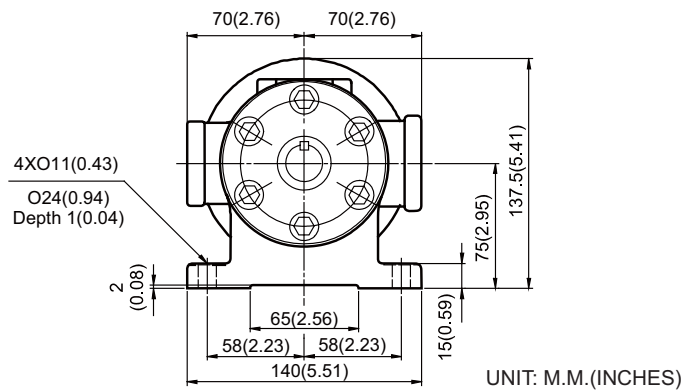
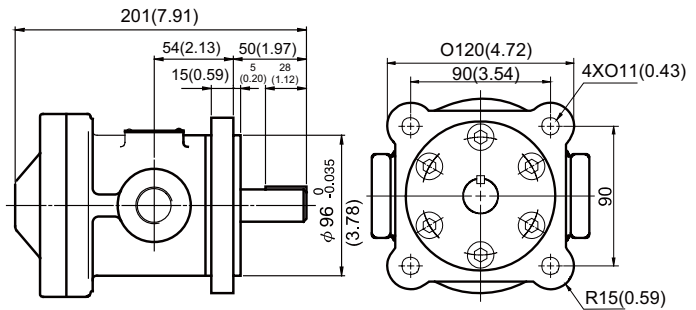
No.	Description	Quantity		Remark	
		50T	150T	50T	150T
1	Pump Housing	1	1		
2	Front Port Plate	1	1		
3	Cam Ring	1	1		
4	Looking Pin	1	1		
5	Rotor	1	1		
6	Vane	12	12		
7	Rear Port Plate	1	1		
8	End Cover	1	1		
9	Bearing	1	1	6200	6203
10	O-Ring	1	1	G75	G120
11	Countersink Hex-Screw	8	10	M10X1.5X30	M10X1.5X40
12	Mandrel	1	1		
13	Bearing	1	1	6204	6205
14	Retainer Ring	1	1	S-20	S-25
15	Oil Seal	1	1	25X47X8	32X52X9
16	Flange(Lug)	1	1		
17	Counter Hex-Screw	4	6	M10X1.5X20	M10X1.5X20
18	Key	1	1	5X5X30	7X7X35

[DIMENSIONS]

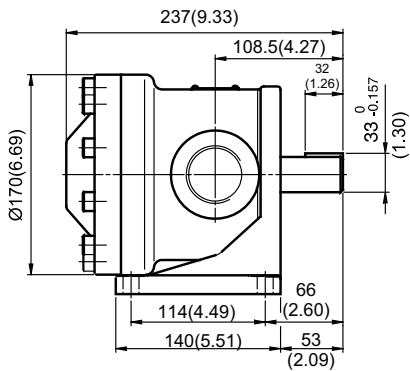
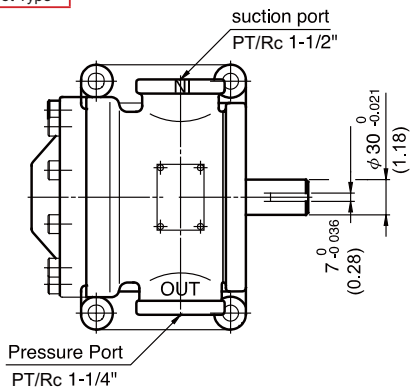
50T-*-L
Foot Type



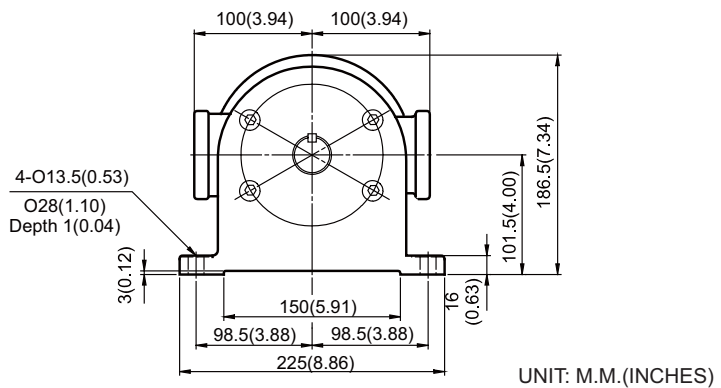
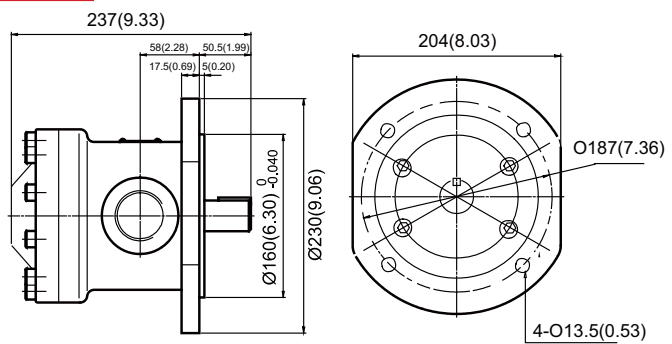
50T-*-F
Flange Type



150T-*-L
Foot Type



150T-*-F
Flange Type



F