



SOLTECH

MODULAR(STACK) CONTROLS

THROTTLE AND CHECK MODULAR VALVES

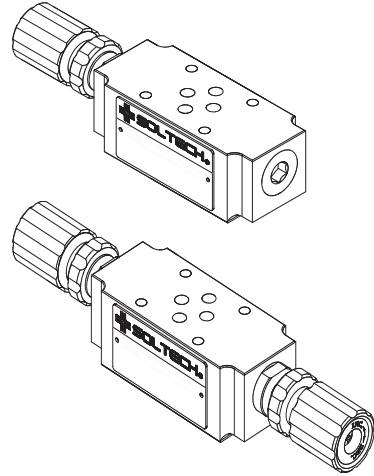
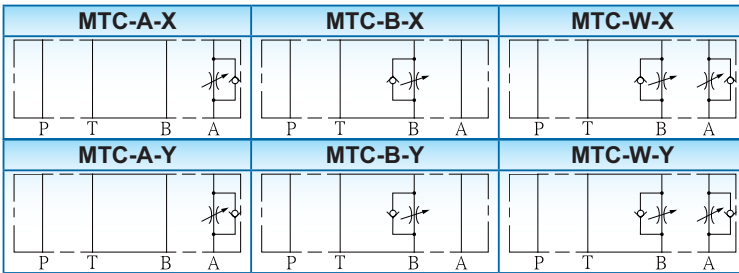
【MTC-02】

ISO 4401-AB-03-4-A, CETOP 03, NG6, NFPA-D03

※SPECIFICATION

MODEL	MAX. OPER. PRES. Bar(PSI)	MAX. FLOW (ℓ/min)	WEIGHT (Kg)
MTC-02-A	210(3045)	40	1.4
MTC-02-B			1.5
MTC-02-W			1.5

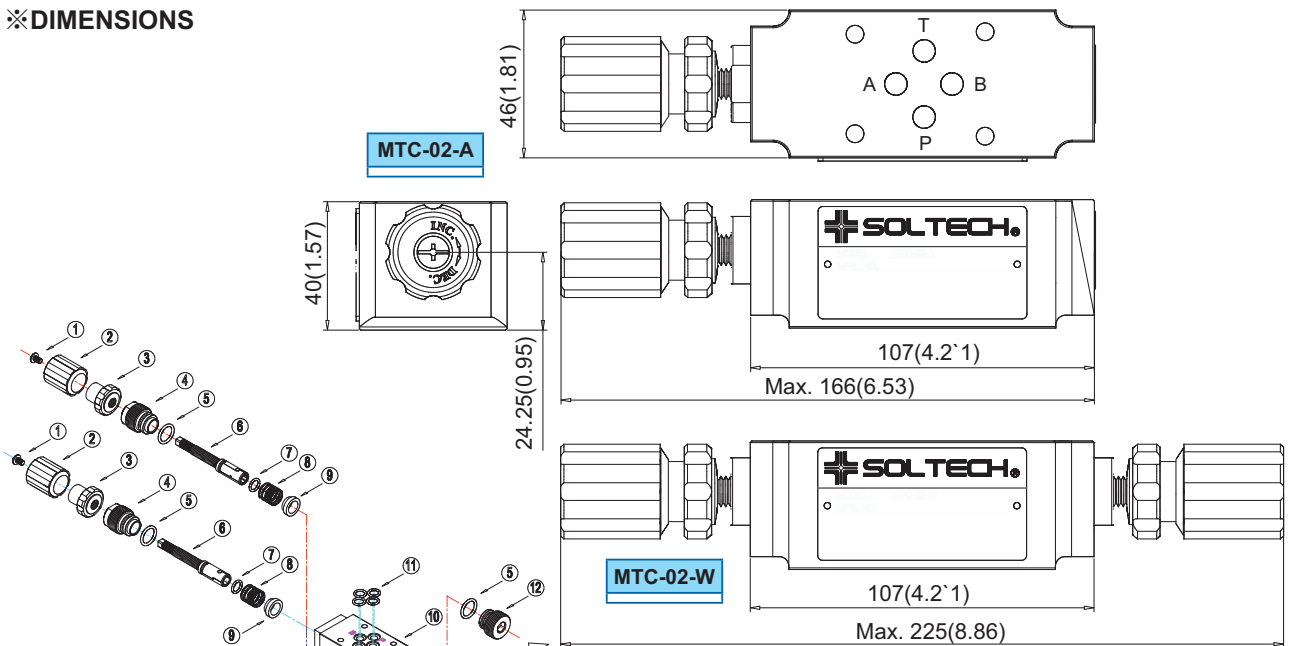
※GRAPHIC SYMBOL



※MODEL NUMBER DESIGNATION

MTC	02	P	X	(*)	(90)
SERIES NO.	VALVE SIZE 02: NG6	FUNCTION PORT A: "A" PORT B: "B" PORT W: "A"&"B" PORTS	ORIENTATION X: METER OUT Y: METER IN	ADJ. KITS OMIT: WITH KNOB S: SOCKET HEAD CAP SCREW	OMIT: DIN 912 BOLTS 90: UNC BOLTS (NORTH AMERICA)

※DIMENSIONS



Item No.	Part No.	Quantity(PCs)	
		(A/B)	(W)
1	SB00006	1	2
2	P000009	1	2
3	S000005	1	2
4	IR00041	1	2
5	OR00015	1	2
6	SP00067	1	2
7	OR00014	1	2
8	S000018	1	2
9	SP00068	1	2
10	FB00007	1	1
11	OR00003	4	4
12	IR00040	1	2

UNIT: M.M.(INCH)

B

【MTC-03】

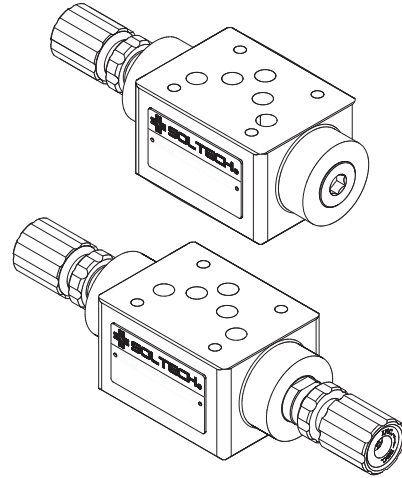
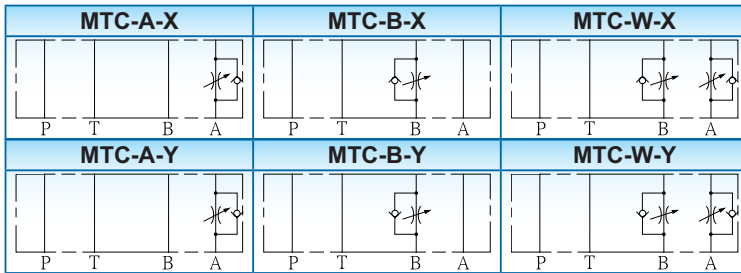
ISO 4401-AC-05-4-A, CETOP 05, NG10, NFPA-D05

B

※SPECIFICATION

MODEL	MAX. OPER. PRES. Bar(PSI)	MAX. FLOW (ℓ/min)	WEIGHT (Kg)
MTC-03-A	210(3045)	80	2.5
MTC-03-B			3.1
MTC-03-W			

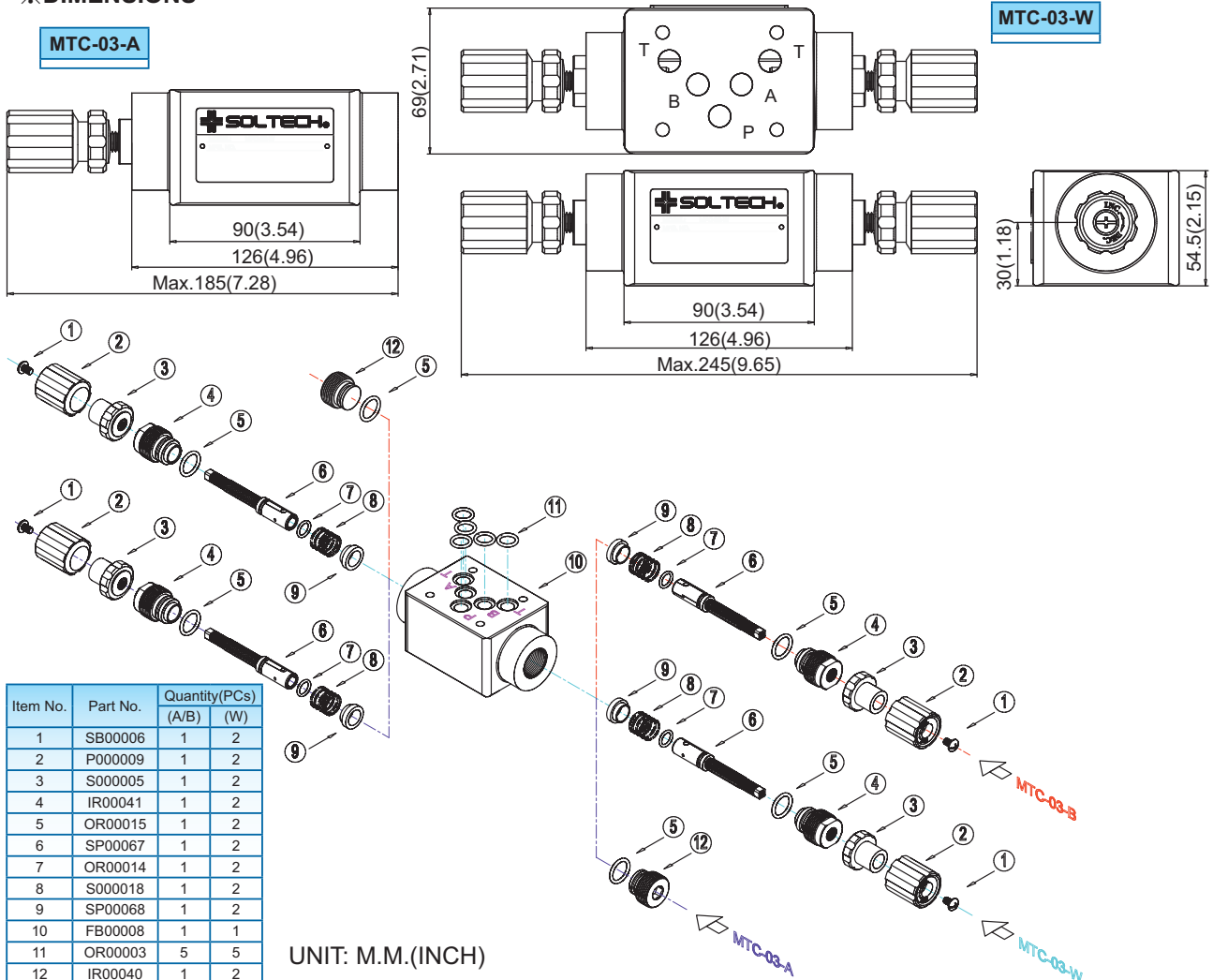
※GRAPHIC SYMBOL



※MODEL NUMBER DESIGNATION

MTC	03	A	X	(*)	(90)
SERIES NO.	VALVE SIZE 03: NG10	FUNCTION PORT A: "A" PORT B: "B" PORT W: "A"&"B" PORTS	ORIENTATION X: METER OUT Y: METER IN	ADJ. KITS OMIT: WITH KNOB S: SOCKET HEAD CAP SCREW	OMIT: DIN 912 BOLTS 90: UNC BOLTS (NORTH AMERICA)

※DIMENSIONS



Item No.	Part No.	Quantity(PCs)	
		(A/B)	(W)
1	SB00006	1	2
2	P000009	1	2
3	S000005	1	2
4	IR00041	1	2
5	OR00015	1	2
6	SP00067	1	2
7	OR00014	1	2
8	S000018	1	2
9	SP00068	1	2
10	FB00008	1	1
11	OR00003	5	5
12	IR00040	1	2

UNIT: M.M.(INCH)



SOLTECH

MODULAR(STACK) CONTROLS

RELIEF MODULAR VALVES

B

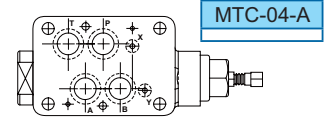
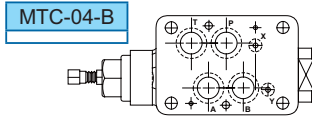
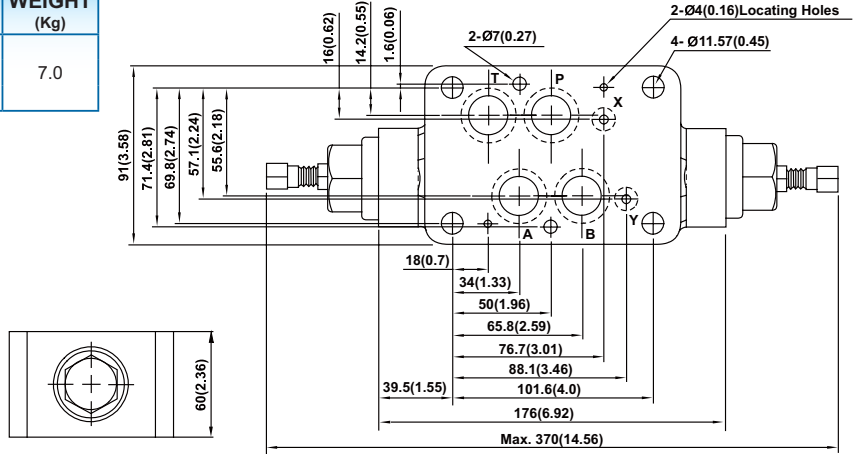
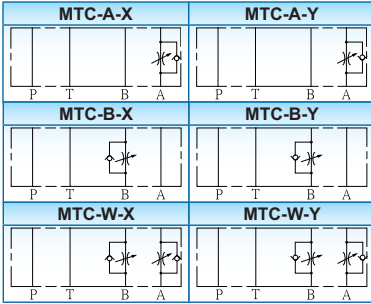
【 MTC-04 】

ISO 4401-AD-07-4-A, CETOP 07, NG16, NFPA-D07

※SPECIFICATION

MODEL	MAX. OPER. PRES. Bar(PSI)	MAX. FLOW ℓ/min(U.S.GPM)	WEIGHT (Kg)
MTC-04-A	210(3045)	190(50.2)	7.0
MTC-04-B			
MTC-04-W			

※GRAPHIC SYMBOL



※MODEL NUMBER DESIGNATION

MR	04	P	X	(*)	(90)
SERIES NO.	VALVE SIZE 04: NG16	FUNCTION PORT A: "A" PORT B: "B" PORT W: "A&B" PORT	ORIENTATION X: METER OUT Y: METER IN	ADJ. KITS OMIT: WITH KNOB S: SOCKET HEAD CAP SCREW	OMIT: DIN 912 BOLTS 90: UNC BOLTS (NORTH AMERICA STD.)

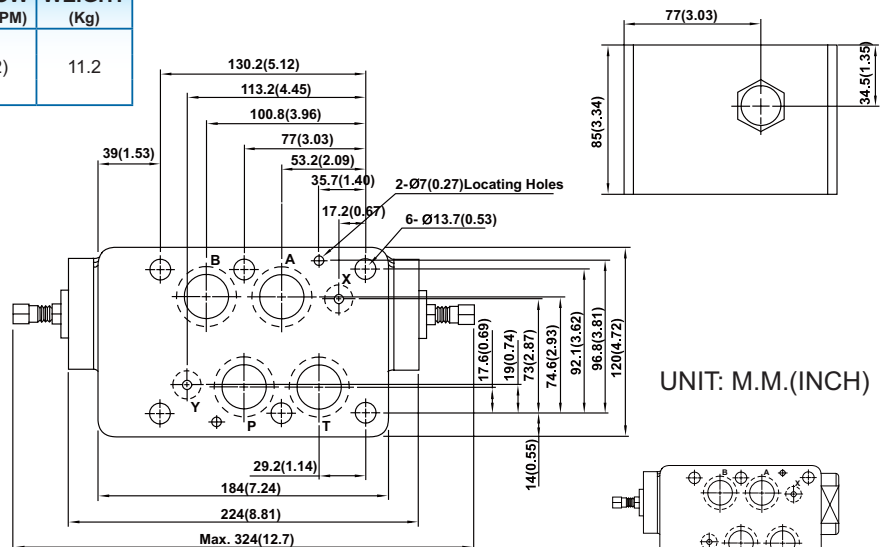
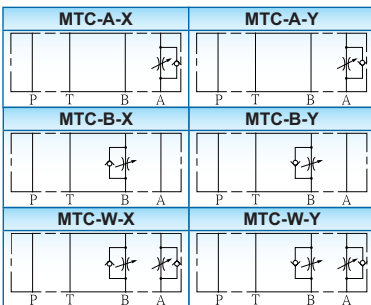
【 MTC-06 】

ISO 4401-AE-08-4-A, CETOP 08, NG25, NFPA-D08

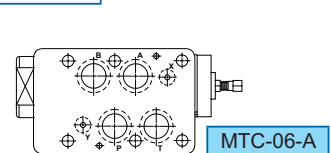
※SPECIFICATION

MODEL	MAX. OPER. PRES. Bar(PSI)	MAX. FLOW ℓ/min(U.S.GPM)	WEIGHT (Kg)
MTC-06-A	210(3045)	300(79.2)	11.2
MTC-06-B			
MTC-06-W			

※GRAPHIC SYMBOL



UNIT: M.M.(INCH)



※MODEL NUMBER DESIGNATION

MR	06	P	X	(*)	(90)
SERIES NO.	VALVE SIZE 04: NG25	FUNCTION PORT A: "A" PORT B: "B" PORT W: "A&B" PORT	ORIENTATION X: METER OUT Y: METER IN	ADJ. KITS OMIT: WITH KNOB S: SOCKET HEAD CAP SCREW	OMIT: DIN 912 BOLTS 90: UNC BOLTS (NORTH AMERICA STD.)