

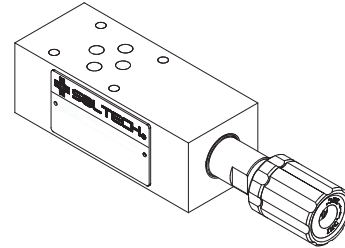
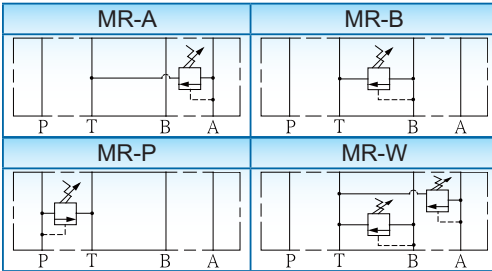
### 【MR-02】

ISO 4401-AB-03-4-A, CETOP 03, NG6, NFPA-D03

#### ※SPECIFICATION

MODEL	MAX. OPER. PRES. Bar(PSI)	MAX. FLOW (ℓ/min)	WEIGHT (Kg)
MR-02-P	210(3045)	40	1.7
MR-02-A			
MR-02-B			
MR-02-W			2.6

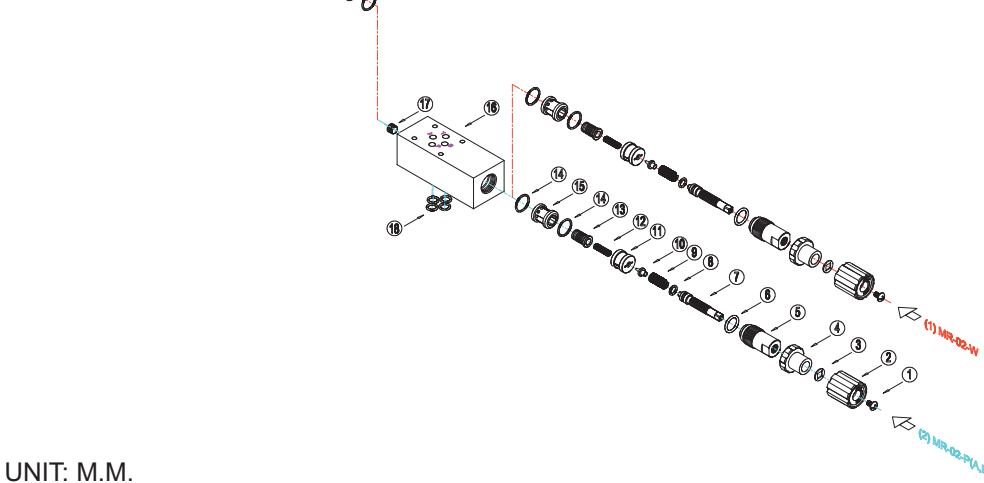
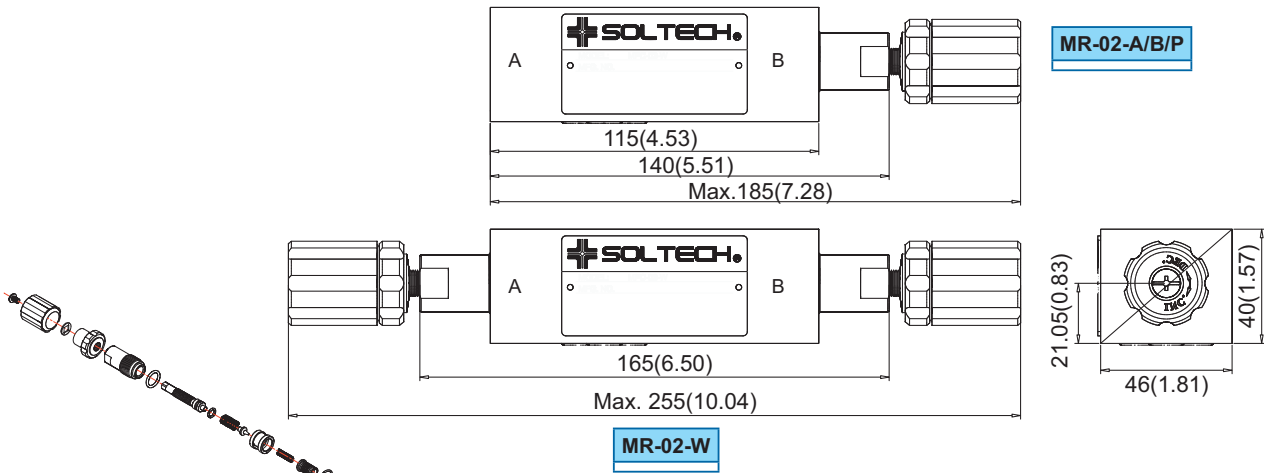
#### ※GRAPHIC SYMBOL



#### ※MODEL NUMBER DESIGNATION

MR	02	P	1	(*)	(90)
SERIES NO.	VALVE SIZE 02: NG6	FUNCTION PORT P: "P" PORT A: "A" PORT B: "B" PORT W: "A&B" PORT	PRESSURE ADJ. RANGE (Kgf/cm <sup>2</sup> ) 1: 8~70 2: 8~140 3: 10~210	ADJ. KITS OMIT: WITH KNOB S: SOCKET HEAD CAP SCREW	OMIT: DIN 912 BOLTS 90: UNC BOLTS (NORTH AMERICA)

#### ※DIMENSIONS



Item No.	Part No.	Quantity(PCs)	
		(A/B/P)	(W)
1	SB00006	1	2
2	P000009	1	2
3	P000010	1	2
4	IR00037	1	2
5	OR0001	1	2
6	IR00038	1	2
7	OR00023	1	2
8	S000013	1	2
9	IR00039	1	2
10	IR00044	1	2
11	S000016	1	2
12	SP00063	1	2
13	OR00012	2	4
14	SP00064	1	2
15	FB00012	1	1
16	SB00005	1	1
17	OR00003	4	4

UNIT: M.M.

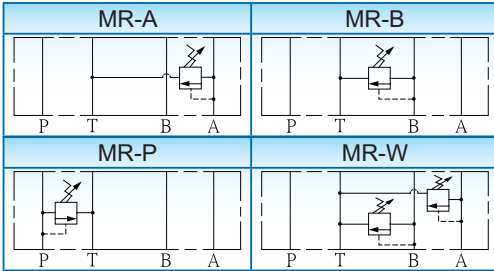
### 【MR-03】

ISO 4401-AC-05-4-A, CETOP 05, NG10, NFPA-D05

#### ※SPECIFICATION

MODEL	MAX. OPER. PRES. Bar(PSI)	MAX. FLOW (ℓ/min)	WEIGHT (Kg)
MR-03-P	210(3045)	80	3.7
MR-03-A			
MR-03-B			
MR-03-W			4.4

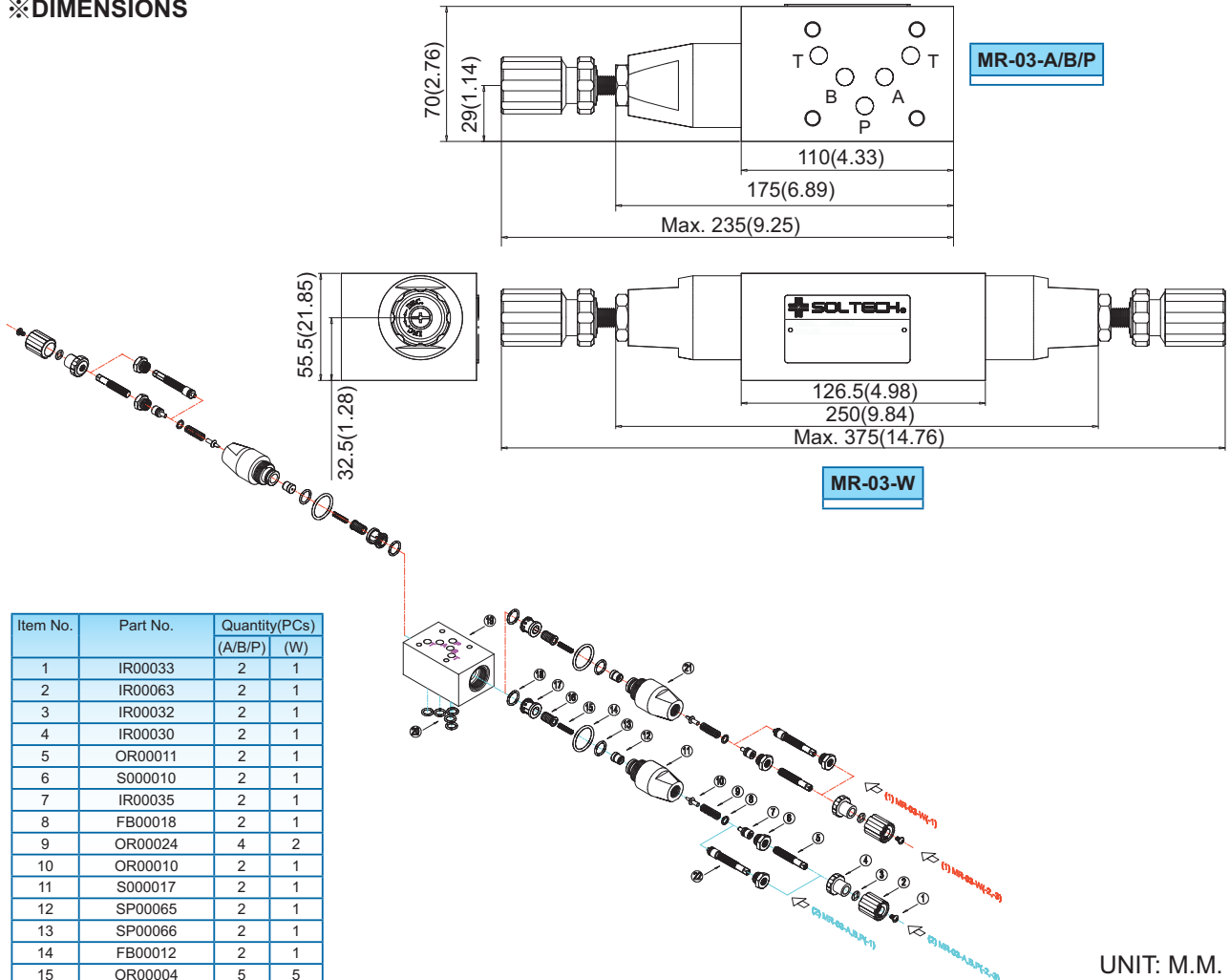
#### ※GRAPHIC SYMBOL



#### ※MODEL NUMBER DESIGNATION

MR	03	P	1	(*)	(90)
SERIES NO.	VALVE SIZE 03: NG10	FUNCTION PORT P: "P" PORT A: "A" PORT B: "B" PORT w: "A&B" PORT	PRESSURE ADJ. RANGE (Kg/cm <sup>2</sup> ) 1: 8~70 2: 8~140 3: 10~210	ADJ. KITS OMIT: WITH KNOB S: SOCKET HEAD CAP SCREW	OMIT: DIN 912 BOLTS 90: UNC BOLTS (NORTH AMERICA)

#### ※DIMENSIONS



UNIT: M.M.



SOLTECH

# MODULAR(STACK) CONTROLS

## RELIEF MODULAR VALVES

B

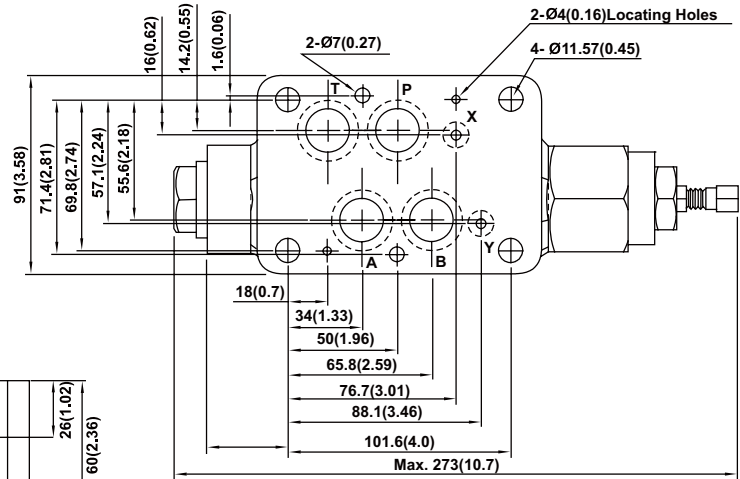
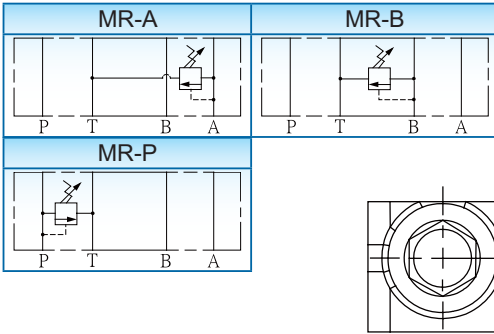
### 【MR-04】

ISO 4401-AD-07-4-A, CETOP 07, NG16, NFPA-D07

#### ※SPECIFICATION

MODEL	MAX. OPER. PRES. Bar(PSI)	MAX. FLOW ℓ/min(U.S.GPM)	WEIGHT (Kg)
MR-04-P			
MR-04-A	210(3045)	190(50.2)	7.0
MR-04-B			

#### ※GRAPHIC SYMBOL



#### ※MODEL NUMBER DESIGNATION

MR	04	P	1	(*)	(90)
SERIES NO.	VALVE SIZE 04: NG16	FUNCTION PORT P: "P" PORT A: "A" PORT B: "B" PORT	PRESSURE ADJ. RANGE (Kg/cm <sup>2</sup> ) 1: 8~70 2: 8~140 3: 10~210	ADJ. KITS OMIT: WITH KNOB S: SOCKET HEAD CAP SCREW	OMIT: DIN 912 BOLTS 90: UNC BOLTS (NORTH AMERICA STD.)

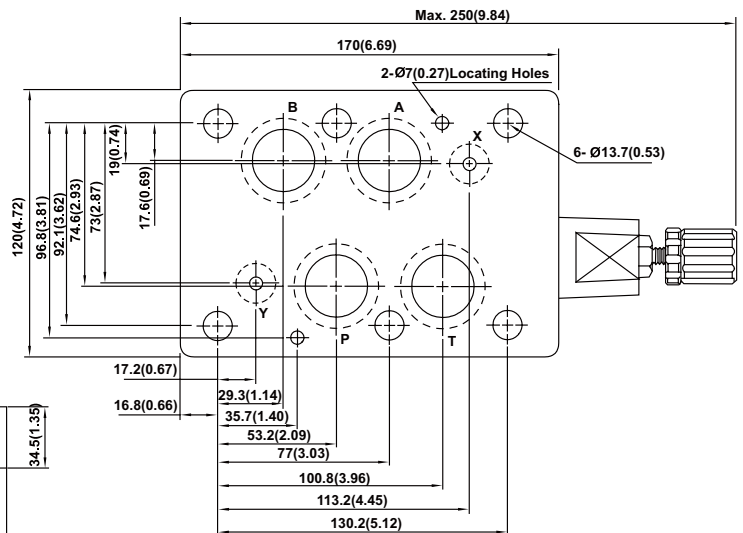
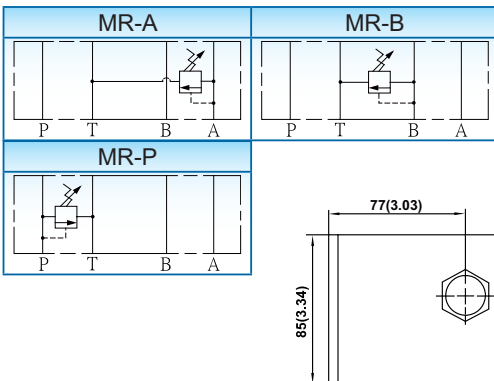
### 【MR-06】

ISO 4401-AE-08-4-A, CETOP 08, NG25, NFPA-D08

#### ※SPECIFICATION

MODEL	MAX. OPER. PRES. Bar(PSI)	MAX. FLOW ℓ/min(U.S.GPM)	WEIGHT (Kg)
MR-06-P			
MR-06-A	210(3045)	300(79.3)	11.2
MR-06-B			

#### ※GRAPHIC SYMBOL



#### ※MODEL NUMBER DESIGNATION

MR	06	P	1	(*)	(90)
SERIES NO.	VALVE SIZE 06: NG25	FUNCTION PORT P: "P" PORT A: "A" PORT B: "B" PORT	PRESSURE ADJ. RANGE (Kg/cm <sup>2</sup> ) 1: 8~70 2: 8~140 3: 10~210	ADJ. KITS OMIT: WITH KNOB S: SOCKET HEAD CAP SCREW	OMIT: DIN 912 BOLTS 90: UNC BOLTS (NORTH AMERICA STD.)

UNIT: M.M.(INCH)